



## Cim 787 Variable orifice balancing valve

Cim 787 balancing valves are suitable for both heating (LPHW) and cooling applications.

They are available in DZR brass (Cim 787) or in standard brass (Cim 787OT). The main features of Cim 787 balancing valves are as follows:

- A thread locking mechanism so that valve settings can be accurately locked enabling the valve to be closed and re-opened to its exact pre-set position;
- Allen key locking of valve positions;
- A valve position indicator scale which can be read from any angle;
- An EPDM lined valve plug providing tight shut-off for isolation purposes;
- Pressure Class: PN25. Temperature: -10°C±120°C.

Available with press fitting ends (Cim 787PRS & Cim 787OTPRS).

**cim787**

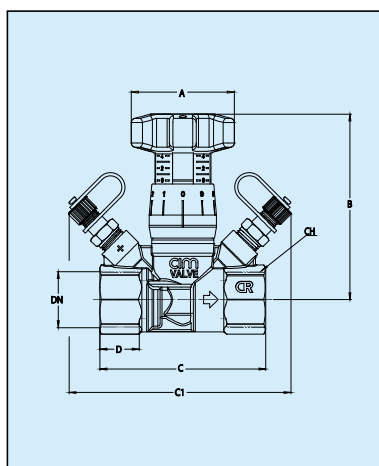


**cim787PRS**

variable orifice  
balancing valve  
press fitting ends

**cim 787**

### VARIABLE ORIFICE BALANCING VALVE



DN	Cim 787							
	Grms.	A	B	C	CI	D	CH	Kvs
1/2"	380	50	87.5	77	106	17	25	1.75
3/4"	440	50	89.5	80	107	18.5	31	2.87
1"	535	50	91.5	87	107	21	38	4.08
1 1/4"	960	50	99	108	123	22.5	48	6.71
1 1/2"	1120	50	99	115	129	23	55	10.40
2"	1350	50	100	124	132	26.5	66	15.06