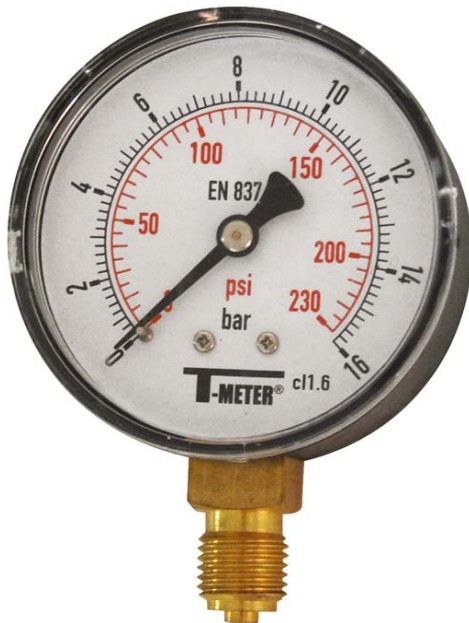


DRY DIAL PRESSURE GAUGE WITH ABS BOX



EWC



Size : Diameter 40 to 100
Ends : Male BSP
Min Temperature : + 0°C
Max Temperature : + 60°C
Pressure : From 0 to 40 Bars
Specifications : ABS box
Brass mechanism
Brass fitting
Plexiglas glass

Materials : ABS box

DRY DIAL PRESSURE GAUGE WITH ABS BOX

SPECIFICATIONS :

- ABS box
- Brass mechanism
- Brass fitting
- Plexiglas glass
- Dry dial
- 2.5 class for Ref. 1640
- 1.6 class for Ref. 1643 and 1645
- BSP threaded
- Double graduation bar / psi for diameter 63

USE :

- Not for viscous or crystallizing liquid
- Hydraulic, , heating, compressed air and shipbuilding
- Min and max Temperature Ts : 0°C to +60°C

RANGE :

- ABS box pressure gauge with dry dial Ø 40 with back connection male 1/8" BSP threaded , range from 0/4 to 0/16 bars **Ref. 1640**
- ABS box pressure gauge with dry dial Ø 63 with bottom connection male 1/4" BSP threaded , range from 0/4 to 0/40 bars and range from 0/60 to 0/600 psi **Ref. 1643**
- ABS box pressure gauge with dry dial Ø 100 with bottom connection male 1/2" BSP threaded ,range from 0/4 to 0/40 bars **Ref. 1645**

ACCESSORIES :



- Copper curl PN25 Male / Female BSP
 - DN 1/4" **Ref. 9880202**
 - DN 1/2" **Ref. 9880204**



- Stainless steel curl PN20 Male / Female BSP
 - DN 1/4" **Ref. 9880207**
 - DN 1/2" **Ref. 9880208**



- Steel curl PN25 Male / Male BSP
 - DN 1/4" **Ref. 9880200**
 - DN 1/2" **Ref. 9880201**

DRY DIAL PRESSURE GAUGE WITH ABS BOX
GRADUATIONS :

	Ref.1640 (Ø 40)	Ref.1645 (Ø 100)
Range (bar)	Graduation (bar)	Graduation (bar)
0 / 4	0,1	0,1
0 / 6	0,1	0,1
0 / 10	0,2	0,2
0 / 16	0,5	0,2
0 / 25	-	0,5
0 / 40	-	1

Ref. 1643 (Ø 63)			
Range (bar)	Graduation (bar)	Range (psi)	Graduation (psi)
0 / 4	0,1	0/60	1
0 / 6	0,1	0/90	1
0 / 10	0,2	0/150	2
0 / 16	0,2	0/230	5
0 / 25	0,5	0/350	5
0 / 40	1	0/600	10

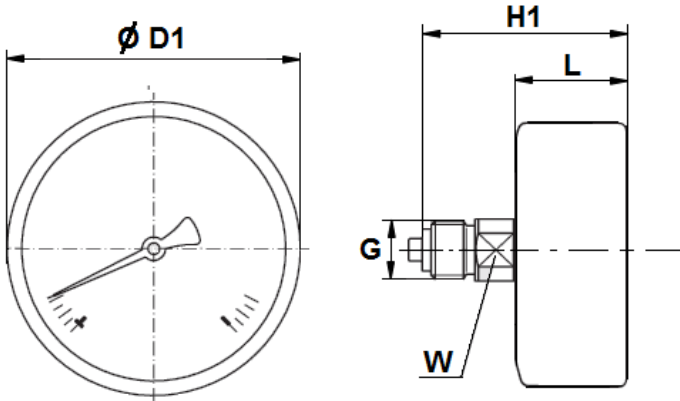
MATERIALS :

DESIGNATION	MATERIALS
Box	ABS
Fitting	Brass
Mechanism	Brass
Dial	Plastic
Glass	Plexiglas
Needle	Duralumin

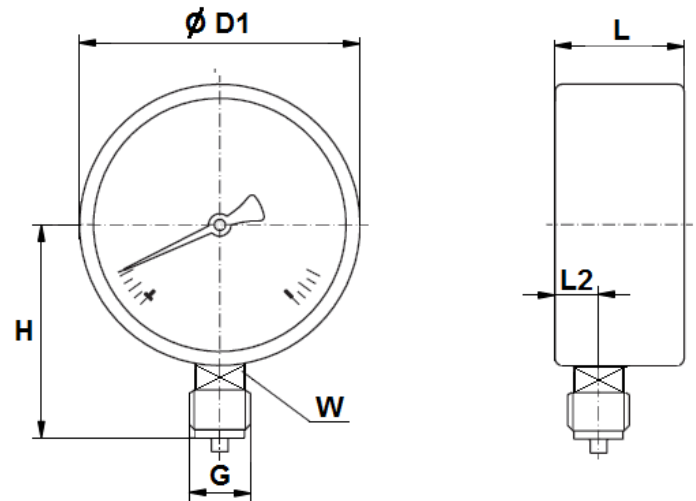
DRY DIAL PRESSURE GAUGE WITH ABS BOX

SIZE (in mm) :

Ref. 1640



Ref. 1643 - 1645



	$\varnothing 40$ (Ref.1640)	$\varnothing 63$ (Ref. 1643)	$\varnothing 100$ (Ref.1645)
L2	-	10	15
L	24.5	28	34
H1	40	-	-
$\varnothing D1$	40.5	62.5	98.5
G	1/8	1/4	1/2
H	-	53.5	80.3
W	11	14	22
Weight (kg)	0.050	0.090	0.200

DRY DIAL PRESSURE GAUGE WITH ABS BOX**STANDARDS :**

- Fabrication according to ISO 9001 : 2008
- Designing according to EN 837-1
- DIRECTIVE 97/23/CE : Products excluded from directive (article 3, § 3)
- Threaded male BSP cylindrical ends according to ISO 228-1

ADVICE : Our opinion and our advice are not guaranteed and SFERACO shall not be liable for the consequences of damages.
The customer must check the right choice of the products with the real service conditions.