

**STAINLESS STEEL PRESSURE GAUGE WITH DRY DIAL Ø 63**



**EWC**



**Size :** Diameter 63  
**Ends :** Male BSP  
**Min Temperature :** + 0°C ( Ambience -20°C )  
**Max Temperature :** + 100°C( Ambience +60°C )  
**Pressure :** From -1 to 60 Bars  
**Specifications :** All Stainless steel  
Stainless steel mechanism  
Dry dial ( to be fitted in )  
Safety glass

**Materials :** SS 304 box

## STAINLESS STEEL PRESSURE GAUGE WITH DRY DIAL Ø 63

### SPECIFICATIONS :

- All stainless steel
- Stainless steel mechanism
- Dry dial ( to be fitted in )
- Safety glass
- 1,6 class
- Protection IP65
- Bottom connection BSP threaded

### USE :

- Not for viscous or crystallizing liquid
- Min and max Temperature Ts : 0°C to +100°C ( ambience -20°C à + 60°C )

### RANGE :

- All stainless steel pressure gauge with dry dial Ø 63 with bottom BSP 1/4" male connection, range -1/+1 to 0/60 bars **Ref. 1616**
- All stainless steel pressure gauge with dry dial Ø 63 with back BSP 1/4" male connection, range -1/+1 to 0/60 bars **Ref. 1626**

### ACCESSORIES :



- Stainless steel flange with 3 holes at 120° for bottom connection
  - Ø 63 **Ref. 9880110**



- Stainless steel flange with 3 holes at 120° for back connection
  - Ø 63 **Ref. 9880111**



- Steel support with screws
  - Ø 63 **Ref. 9880010**



- SS curl PN20 Male / Female BSP
  - DN 1/4" **Ref. 9880207**



- 250 ml glycerine bottle **Ref. 9880401**

**STAINLESS STEEL PRESSURE GAUGE WITH DRY DIAL Ø 63**
**GRADUATIONS :**

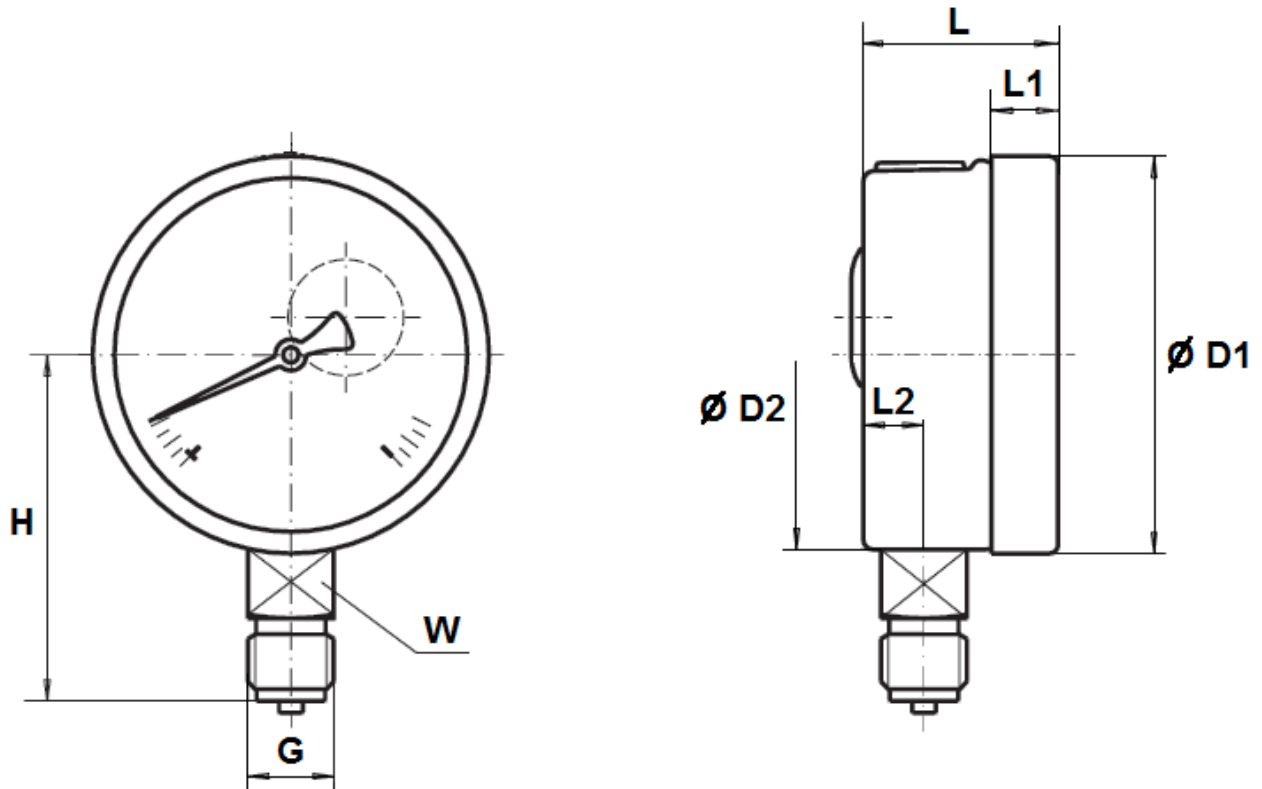
| Range (bar) | Graduation (bar) |
|-------------|------------------|
| -1 / +1     | 0,05             |
| 0 / 1,6     | 0,02             |
| 0 / 2,5     | 0,05             |
| 0 / 4       | 0,1              |
| 0 / 6       | 0,1              |
| 0 / 10      | 0,2              |
| 0 / 16      | 0,2              |
| 0 / 25      | 0,5              |
| 0 / 40      | 1                |
| 0 / 60      | 1                |

**MATERIALS :**

| DESIGNATION | MATERIALS    |
|-------------|--------------|
| Box         | SS 304       |
| Fitting     | SS 316       |
| Mechanism   | SS 316       |
| Dial        | Aluminium    |
| Glass       | Safety glass |
| Needle      | Aluminium    |

**STAINLESS STEEL PRESSURE GAUGE WITH DRY DIAL Ø 63**

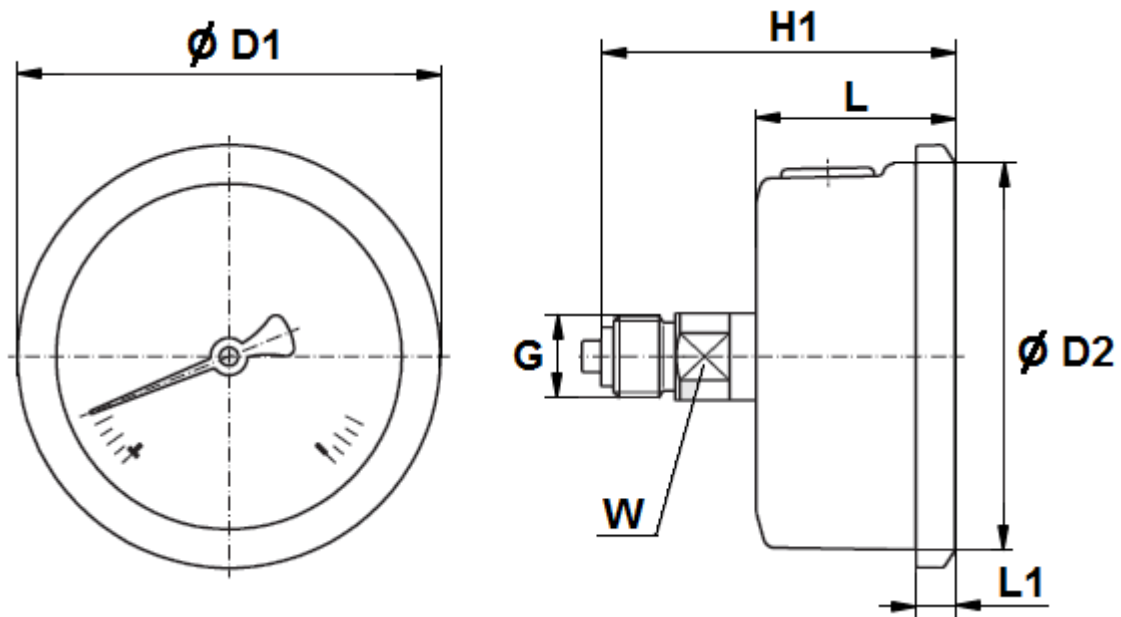
SIZE BOTTOM CONNECTION TYPE REF. 1616 ( in mm ) :



| Ref. | DN            | 63       |
|------|---------------|----------|
| 1616 | Ø D1          | 68       |
|      | Ø D2          | 62       |
|      | H             | 56       |
|      | G             | 1/4" BSP |
|      | L             | 32       |
|      | L1            | 6        |
|      | L2            | 10.5     |
|      | W             | 14       |
|      | Weight ( Kg ) | 0.146    |

**STAINLESS STEEL PRESSURE GAUGE WITH DRY DIAL Ø 63**

**SIZE BACK CONNECTION TYPE REF. 1626 ( in mm ) :**



| Ref. | DN            | 63       |
|------|---------------|----------|
| 1626 | Ø D1          | 69       |
|      | Ø D2          | 62.4     |
|      | H             | 55       |
|      | G             | 1/4" BSP |
|      | L             | 32.2     |
|      | L1            | 6.3      |
|      | W             | 14       |
|      | Weight ( Kg ) | 0.15     |

**STAINLESS STEEL PRESSURE GAUGE WITH DRY DIAL Ø 63**

**STANDARDS :**

- Fabrication according to ISO 9001 : 2008
- Designing according to EN 837-1
- DIRECTIVE 97/23/CE : Products excluded from directive ( article 3, § 3 )

**ADVICE :** Our opinion and our advice are not guaranteed and SFERACO shall not be liable for the consequences of damages.  
The customer must check the right choice of the products with the real service conditions.