

# LUCIFER NAMUR 341 SOLENOID PILOT VALVE

## DEFINITION

Solenoid pilot valve with monostable or bistable drawers 3/2 or 5/2 for Namur double and simple acting pneumatic actuator. Made in anodised aluminium and equipped with NBR gaskets.

## CHARACTERISTICS

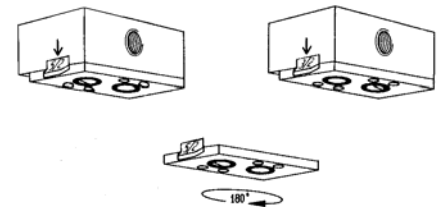
Used with dry or lubricated air, neutral gases.  
 Model with a spare manual gear  
 Response times: 10 to 30 ms  
 Flow: 400 litres per minute  
 Bore: 4 mm  
 Pipe connection: 1/4"

## ELECTRICAL PARTS

type	Solenoid	Voltage
4210 monostable	T 22 Classe F	230 V ca 24 V ca
4220 bistable	IP 65 Conso ac : 2W Conso dc : 2,5 W	48 V ca 110 V ca 12 V cc 24 V cc 48 V cc 110 V cc
4230 monostable	Eex me II T4 Eex II 2 G/D IP6X Zones 1,2,21,22	230 V ca 24 V ca 24 V cc
4240 monostable	Eex ia II C T6 EEx II 1G/D Zones 0 et 20	24 V ca
4245 monostable	PN	
4250 monostable	Eex md II T6	230 V ca 24 V ca 24 V cc



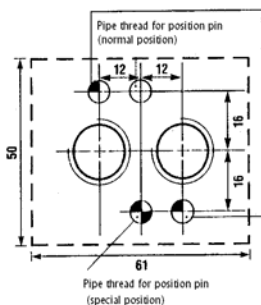
Conversion of the function 5/2 to 3/2



## LIMITS OF USE

Pressure range : 2 to 10 bar  
 Temperature range: -25°C to +60°

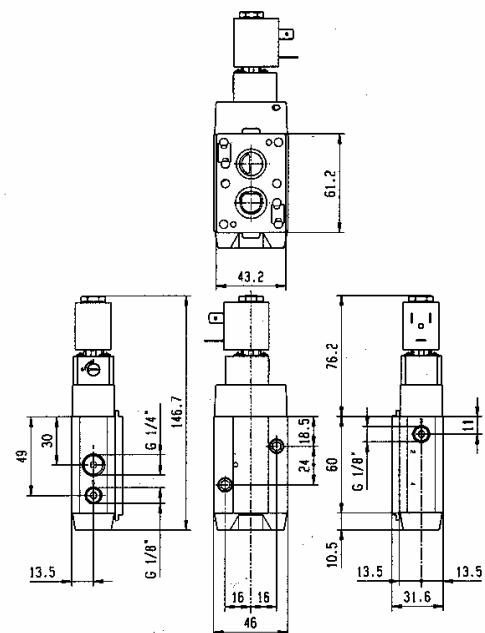
## DIMENSIONS



Fixing orifices

important :

The user has to insure that the position pin is well installed so that it matches the position required of the main valve while off power.



Data subject to alteration



Réf.: FT  
4210GB

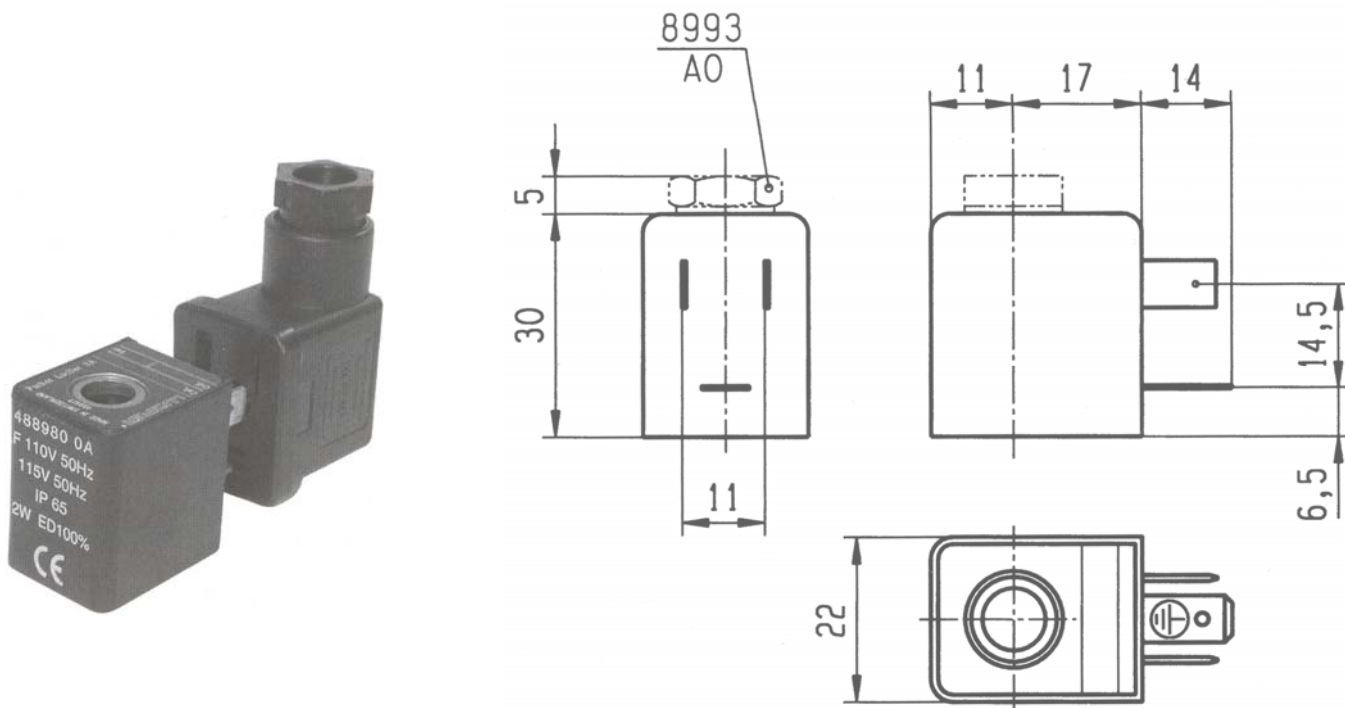
Rev.: 0

Page : 1/4

Date : 09/06

# LUCIFER NAMUR 341 SOLENOID PILOT VALVE

## IP 65 SOLENOID WITH PORT CONNECTIONS



			Standard
Reference			488980
Isolation level			F 155°C
Ambient Temperature			-40°C à +50°C The valve may have its own temperature range to take into account
Power supply	DC	Pn (hot)	2.5 W
		P (cold) 20°C	3 W
	AC	Pn (maintain)	2 W
		Attraction (cold)	5.7 VA (2.5 W)

Data subject to alteration



Réf.: FT  
4210GB

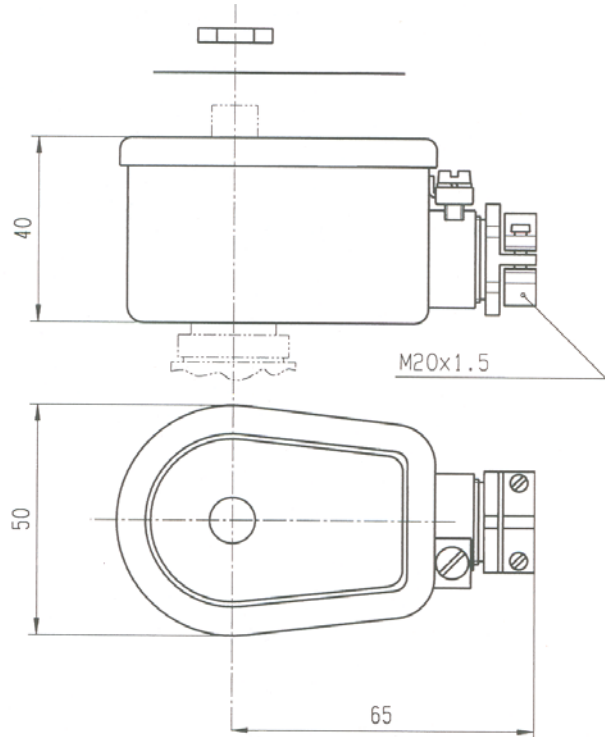
Rev.: 0

Page : 2/4

Date : 09/06

# LUCIFER NAMUR 341 SOLENOID PILOT VALVE

« me » SOLENOID TYPE



Reference		483371	
Certification		LCIE 02 ATEX 6011 X	
Protection type	Gas	II 2 G – Eex me II T4	
	Dust	II 2 D – 130°C	
Protection degree		IP67	
Ambient temperature		-40°C à +80°C The valve may have its own temperature range to take into account	
Isolation level		F (155°)	
Electrical connections		Through a cable gland M20x1,5 « Eex e »	
Power supply	DC	Pn (hot)	8 W
		P (cold)	9 W
	AC	Pn (maintain)	8 W
		Attraction cold	32 VA (9 W)
Engaging time		the electrical parts are designed to be permanently engaged	

Data subject to alteration



Réf.: FT  
4210GB

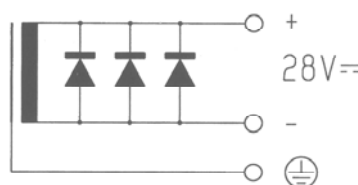
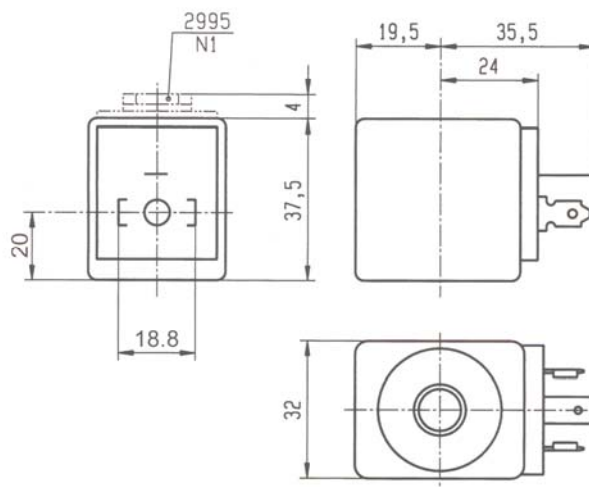
Rev.: 0

Page : 3/4

Date : 09/06

# LUCIFER NAMUR 341 SOLENOID PILOT VALVE

## « ia » SOLENOID TYPE



Reference	483580.01		
Certification	LCIE 02 ATEX 6065 X		
Protection Type	Gas	II 1 G – Eex me II T6	
	Dust	II 1 D – 80°C	
Protection level	IP65		
Ambient Température	-25°C à +55°C The valve may have its own temperature range to take into account		
Isolation level	F (155°)		
Electrical connections	bipolar ports + ground according to norm EN 175301-803		
Voltage	28 Vcc – 110 mA the minimum voltage to run at 60°C is 14 Vcc		
Power supply	DC	Minimum	50 mW
		Maximum	3W
Depends on the applied voltage, on the barrier type SI and the resistance of the cable			
Solenoid Resistance	340 Ω		
Impedance	340 Ω		
Visible inductance	0 mH		
Visible capacity	0 μF		
Engaging time	the electrical parts are designed to be permanently engaged		

Data subject to alteration



Réf.: FT  
4210GB

Rev.: 0

Page : 4/4

Date : 09/06