

# STAINLESS STEEL FLOAT STEAM TRAP SK61

## MAIN CHARACTERISTICS

The SK61 is a float trap dedicated to the draining of condensate in the steam lines. The SK61 has a ductile stainless steel body with threaded or flanged connections with standardized face to face dimension. This steam trap is able to drain large capacities of condensate and is well adapted to the changes of flowrates. For this reason it is recommended for the draining of process like heat exchangers, autoclaves, condensers in the field of chemical processing, food and drugs industries. As a standard the SK61 is fitted with an thermostatic capsule for air elimination in starting phase. It must be installed horizontally and several mechanisms are available depending on the differential pressure.

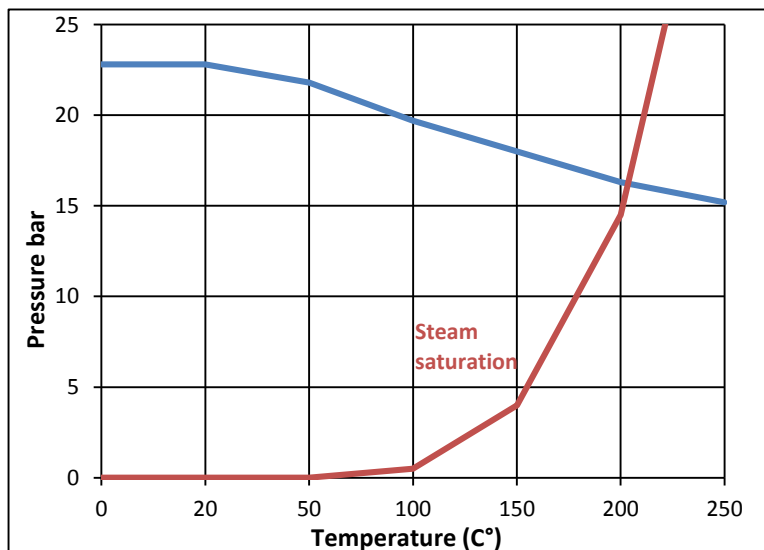


## AVAILABLE MODELS

BSP screwed end connections : G 1/2" - G 3/4" - G 1"  
 DN15, DN20 to DN25  
 Connecting with flanges PN25  
 $\Delta P$  4,5 / 10 / 14 bar

## LIMITS OF USE

Max allowed fluid pressure : PS	25 Bar
Max allowed fluid temperature TS :	+0 °C / +250 °C
Use on saturated steam	16 bar / +205 °C



Modifications reserved



SECTORIEL S.A.  
 45 rue du Ruisseau  
 38290 SAINT QUENTIN-FALLAVIER – FRANCE  
 Tél : +33 4 74 94 90 70 – Fax : +33 4 74 94 13 95  
[www.sectoriel.fr](http://www.sectoriel.fr) / Email : sectoriel@sectoriel.fr

Nbr. pages	1/4
Ref.	FT1513 ENG
Rev.	01
Date	05/14

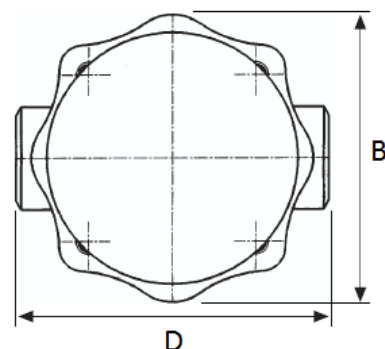
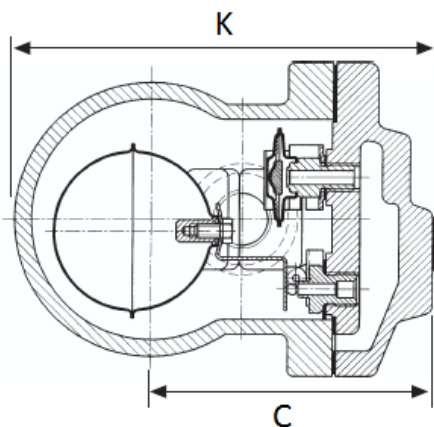
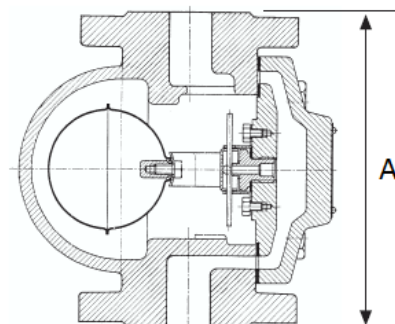
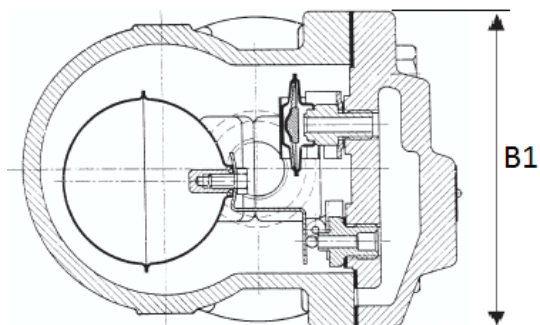
# STAINLESS STEEL FLOAT STEAM TRAP SK61

## REGULATIONS AND STANDARD OF CONSTRUCTION


Item	Standard
Pressure equipment directive 97/23	G 1/2" to G 1" : A3 § 3 excluded
	DN 15 to 25 : A3 § 3 excluded
Materials of stainless steel	EN 1503-1
BSP theard	ISO 228
Flanges	EN 1092-1
Face to Face dimensions	EN 26554

## DIMENSIONS (mm) AND WEIGHT (kg)

DN	A (Flanges)	K	B	B1	C	D (thread)	Drillings Nbr.	Weight (Kg) (flanges)	Weight (Kg) (thead)
15	150	150	108	105	68	122	4	4,5	3,3
20	150	150	108	105	68	122	4	4,2	3,3
25	160	167	108	110	107	145	4	6,3	4,3



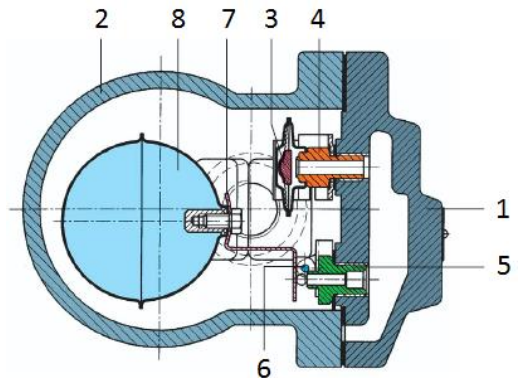
Modifications reserved

	SECTORIEL S.A. 45 rue du Ruisseau 38290 SAINT QUENTIN-FALLAVIER – FRANCE Tél : +33 4 74 94 90 70 – Fax : +33 4 74 94 13 95 <a href="http://www.sectoriel.fr">www.sectoriel.fr</a> / Email : <a href="mailto:sectoriel@sectoriel.fr">sectoriel@sectoriel.fr</a>	Nbr. pages	2/4
		Ref.	FT1513 ENG
		Rev.	01
		Date	05/14

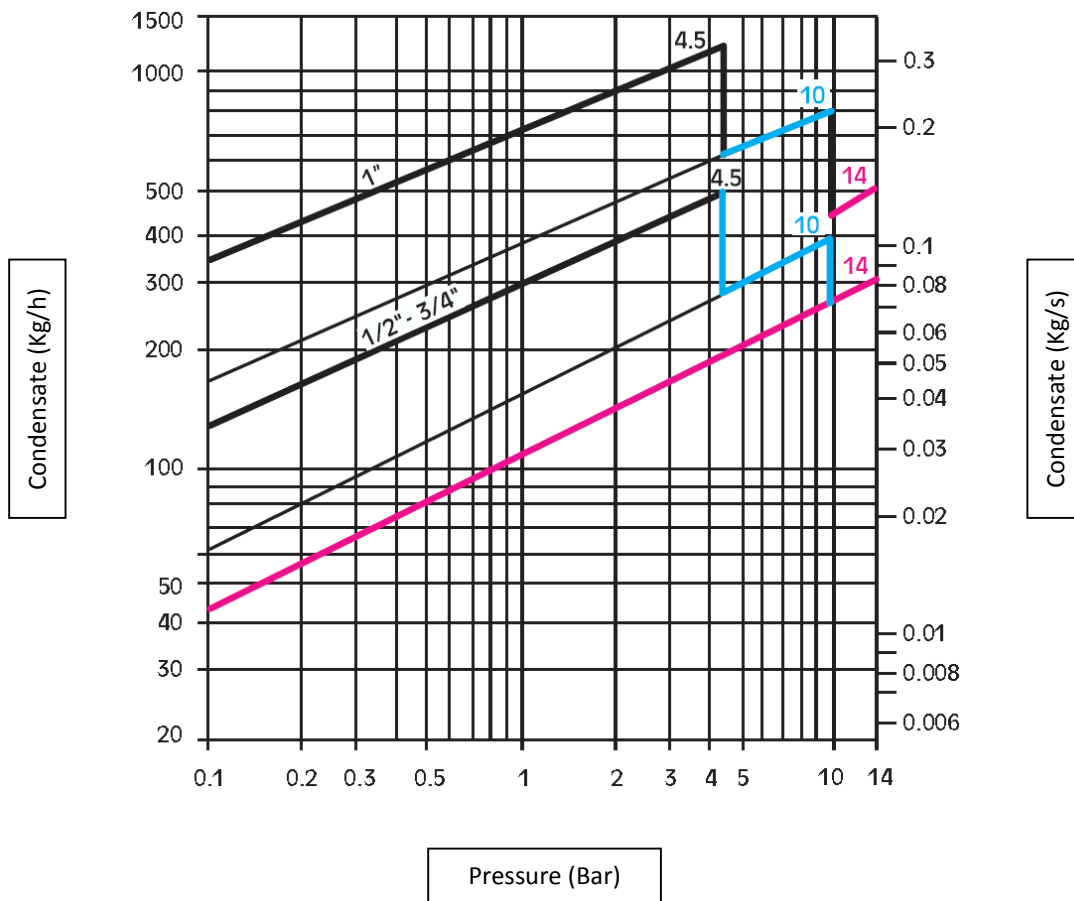
# STAINLESS STEEL FLOAT STEAM TRAP SK61

## CONSTRUCTION


N°	Item	Material
1	Body	Stainless steel 1.4408
2	Cover	Carbon steel 1.0619
3	Gasket	Graphite-SS
4	Thermostatic capsule	Stainless steel / hastelloy
5	Seat (air)	Stainless steel 304
6	Seat (condensate)	Stainless steel 304
7	Level	Stainless steel 304
8	Float	Stainless steel 316



## FLOWRATE OF CONDENSATE (Kg/h)



Modifications reserved

	SECTORIEL S.A. 45 rue du Ruisseau 38290 SAINT QUENTIN-FALLAVIER – FRANCE Tél : +33 4 74 94 90 70 – Fax : +33 4 74 94 13 95 <a href="http://www.sectoriel.fr">www.sectoriel.fr</a> / Email : sectoriel@sectoriel.fr	Nbr. pages	3/4
		Ref.	FT1513 ENG
		Rev.	01
		Date	05/14

# STAINLESS STEEL FLOAT STEAM TRAP SK61

## INSTALLATION

The SK61 steam trap must be installed at the lowest point of the piping to drain. As a standard, it is delivered for horizontal installation. Upstream the trap it is recommended to install a shut-off valve and a Y strainer to avoid any damage on the seat due to the passing of impurities. Downstream the trap must be connected to the condensate loop or to the sewage.

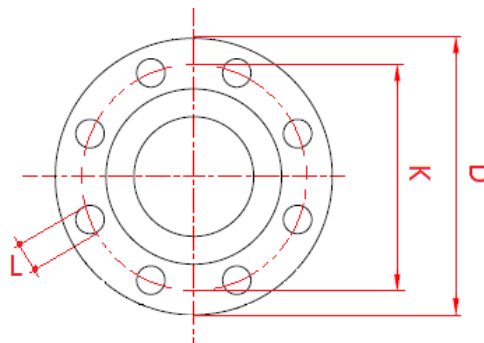
## MOUNTING

While installing the SK61, the right position has to be respected to allow the operation of the trap. Please respect the following two directions.

- 1 - SK61 has to be installed horizontally taking care of the direction of the arrow stamped on the body :  
from steam pipe (upstream) to condensate pie (downstream).
- 2 - Moreover the arrow written on the nameplate must be pointed to the ground.
- 3 - Before installing the trap, shut of the line and remove the pressure. Wait for complete cooling of the line before any operating.
- 4 - Clean carefully the upstream line.
- 5 - Screw the trap on the line after having verified the direction of the two arrows.
- 6 - For the flanged type, use flange's gaskets adapted to steam service.

For the bolding of flanges, use following dimensions :

Flanges PN16 Dimensions					
DN	D	K	L	Qty	∅
15	95	65	14	4	M12
20	105	75	14	4	M12
25	115	85	14	4	M12




## MAINTENANCE

It is not necessary to disassemble the trap from the pipe to proceed to his maintaining.

- 1 - Shutt-off the upstream valve.
- 2 - Drain the downstream line.
- 3 - Verify that there is no pressure and temperature inside the line.
- 4 - Unscrew the 4 bolts of the cover ( item 2).
- 5 - Verify the state of the float ( item 8). Also verify the state of the lever and the seat (item 6). Clean and/or replace the damaged parts if necessary.
- 6 - Verify the state of the capsule (item 4). Replace it if necessary and clean the seat.
- 7 - Replace the body gasket (item 3) and re-assemble the cover (item 2).

Modifications reserved

	SECTORIEL S.A. 45 rue du Ruisseau 38290 SAINT QUENTIN-FALLAVIER – FRANCE Tél : +33 4 74 94 90 70 – Fax : +33 4 74 94 13 95 <a href="http://www.sectoriel.fr">www.sectoriel.fr</a> / Email : <a href="mailto:sectoriel@sectoriel.fr">sectoriel@sectoriel.fr</a>	Nbr. pages	4/4
		Ref.	FT1513 ENG
		Rev.	01
		Date	05/14