



cim3739B

Cim 3739B Variable orifice flanged balancing valve

Cim 3739B flanged balancing valves are used where an accurate flow measurement in big heating or cooling systems is needed. The EN-JL 1040 cast iron valves have flanges PN 16. Cim 3739B can be locked after balancing so that when closed and re-opened cannot be opened beyond the set position. They are supplied with binder points Cim 723.

- Pressure Class: PN16. Temperature: -10°C÷120°C;
- Flanging: TS ISO 7005-2.



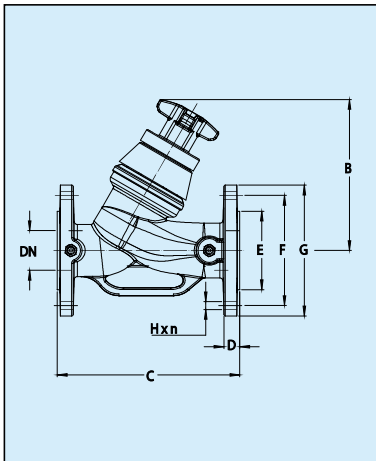
DN 200÷300



DN 40÷150

cim 3739B

VARIABLE ORIFICE FLANGED BALANCING VALVE



Cim 3739B										
DN	Kg.	B	C	D	E	F	G	H	n	Kv-Kvs
40	8.2	178	200	20	84	110	150	19	4	26.15
50	11.6	190	230	20	100	125	165	19	4	47.50
65	15.6	214	290	20	118	145	185	19	4	79.70
80	19.8	225	310	22	132	160	200	19	8	116.80
100	34.8	334	350	24	156	180	220	19	8	196.80
125	52.4	388	400	26	178	210	250	19	8	360.00
150	78.6	403	480	26	211	240	285	23	8	387.80
200	173	655	600	30	266	295	340	23	12	724.80
250	254	698	730	32	319	355	405	28	12	866.00
300	350	716	850	32	370	410	460	28	12	1474.60

